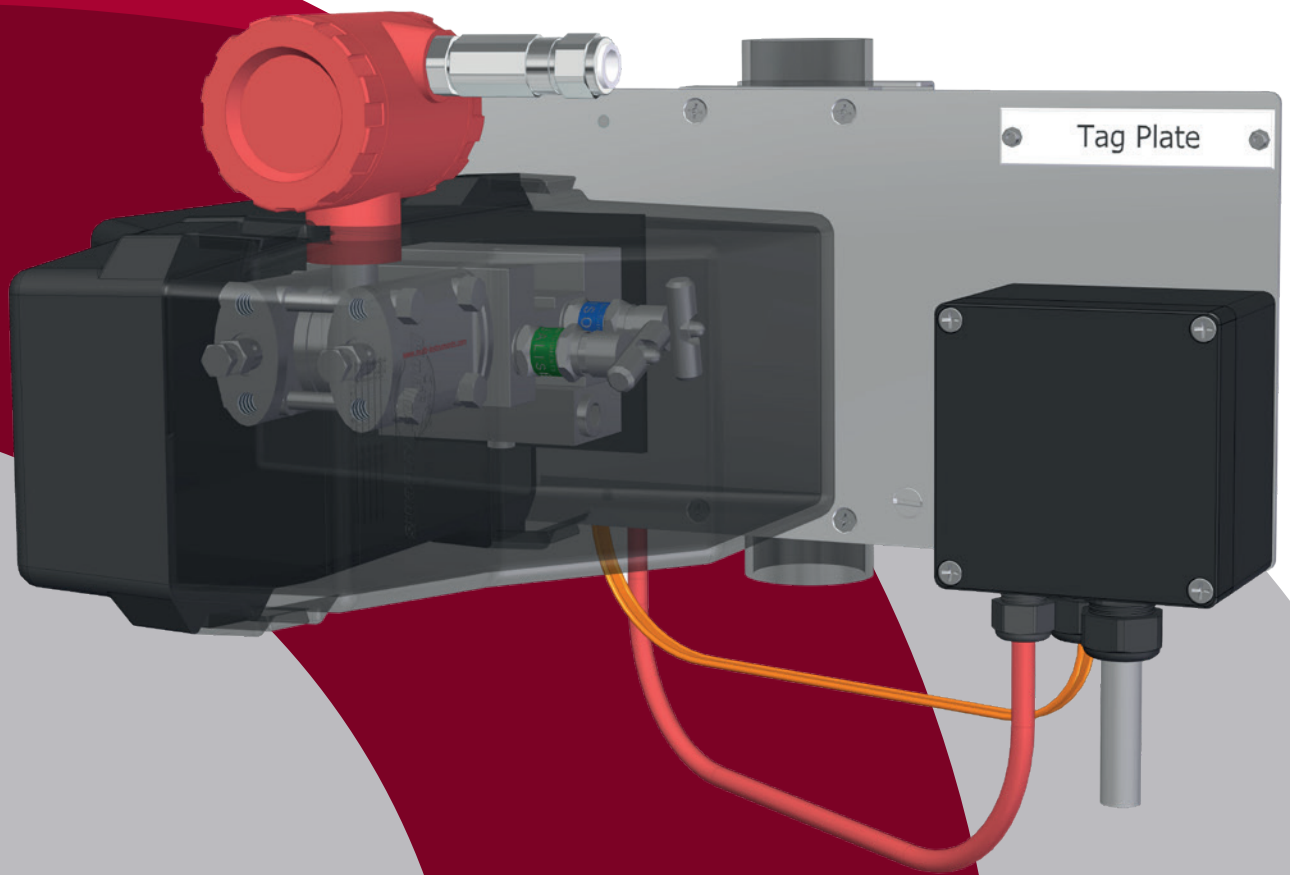


MASTERS IN WINTERIZATION SOLUTIONS



— Multi Instruments offers an industry unique solution for instrumentation winterization. By using a standard mounting plate, manifolds and heaters designed and manufactured by Multi Instruments, we can offer a turnkey package. Simply inform Multi Instruments the type of transmitter, manifold configuration, and your low temperature specification, for a ready made solution.

REDUCED POWER CONSUMPTION, IMPROVED COLD WEATHER RELIABILITY

The key to the Multi Instruments approach is the use of the industry unique contact heater design. By attaching the heater directly to the manifold, the heat transfer is vastly improved, allowing extreme cold weather reliability with only a 29 or 48 Watt output. This globally certified heater operates to -60°C (-76°F) with ATEX, CSA(US), and GOST(EAC) certifications and can be installed in any hazardous area.

— **Lower your installation costs!**

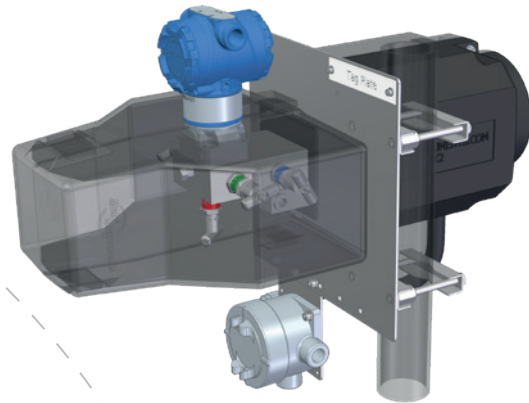
By utilizing Multi Instruments turnkey design and assembly capabilities, costs can be reduced by as much as 30% vs generic “box and space heater” designs.

BODY ENCLOSURE DESIGN

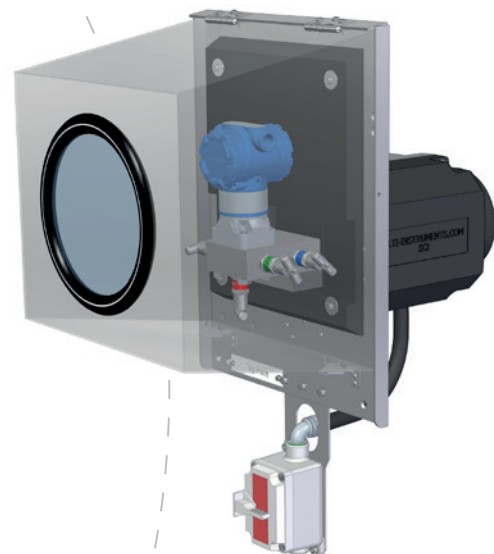
The body enclosure consists of mirror image halves made from a flame retardant, anti-static and impact resistant synthetic material called Nyrim 2000® that is precision fit for any standard transmitter. With snap locks and slip-on attachment, installation and removal is quick and easy and allows full access to the manifold for maintenance and operation. When equipped with a 48W heater or steam block and optional PUR insulation, the body enclosure is rated and certified for operation at -45°C (-49°F) ambient.

PS-1 ENCLOSURE DESIGN

Designed and built for the most rugged service and harshest climates, the PS-1 enclosure uses a stainless steel PUR insulated cover. The optional safety glass window allows for easy viewing of your instrument readout and the top hinge design allows full access to the manifold for maintenance and operation. Equipped with a 48W heater or steam block, the PS-1 ensures reliable operation to -60°C (-76°F) ambient.



— Body Enclosure Design



— PS-1 Full Enclosure Design



<YUXe i UfhYfg
Multi Instruments Instrumentation B.V.
Edisonweg 22
4207 HG Gorinchem
The Netherlands
instrumentation@multi-instruments.com
+31 (0) 183 62 88 88

a i`h]!]bghf i a Ybhg"Wc a

Bcfh\`5 a Yf]WU`!`7UbUXU
Multi Instruments Inc.
#40, 20 Circle Dr.
St Albert, Alberta
Canada
solutions@multi-instruments.com
+1 (587) 290-0997

a i`h]!]bghf i a Ybhg"Wc a