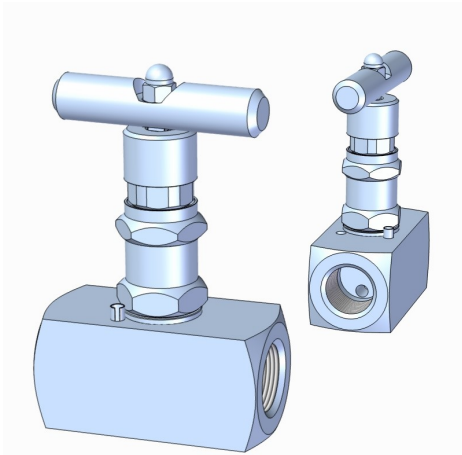


Model NV01



Design Features

- Self aligning metal seat
- Compact Design
- Non-rotating spindle tip
- Metal seal between body and bonnet
- Bonnet Locking pins
- Safety back seating T-Bar and Anti-Tamper operated valves
- Full traceability of all materials
- 100% pressure tested (1,5 x MWP)

Description

The Multi Instruments Needle Valves

The Multi Instruments needle valve is a needle pattern valve with a non-rotating spindle tip, ensuring a positive bubble tight shut-off function.

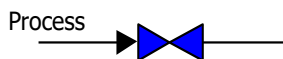
Standard valves in stainless steel are suitable for most process applications, however for severe applications, needle valves in "exotic" materials are available.

Maximum working pressure is 420 Bar (AISI316)
Maximum temperature is 200°C (PTFE packing)

Options

- Anti tamper facility with a removable T-bar key to prevent unauthorized operation of the valve.
- Panel mount facility
- Sour Gas Service
- Oxygen Service
- Available in e.g. Monel, Hastelloy, Duplex, Super Duplex, Alloy 825, Alloy 625 materials.
(NACE MR01-75 compliant)
- High temperature up to 450°C (Graphite packing)
- High pressure up to 680 Bar (10.000 psi)

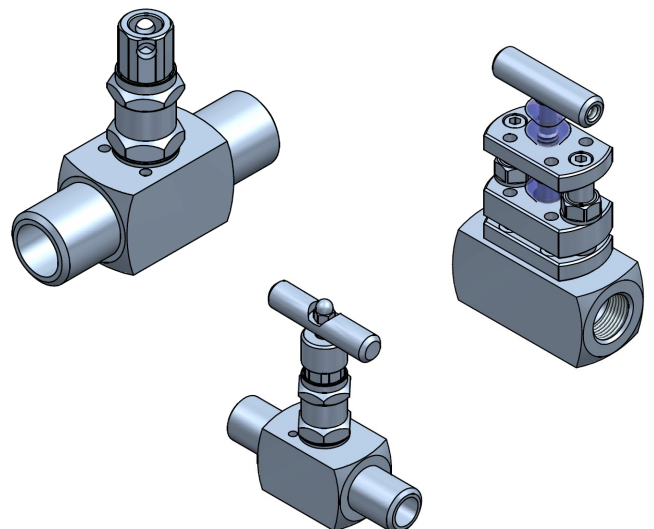
Valve Diagram



Connections

See ordering information on the back of this specification sheet for port connection types available.

Configurations



Head Office: ☎ +31 (0)183 62 88 88 or ✉ to: instrumentation@multi-instruments.com

US + Canada: ☎ +1 587 269 49 88 or ✉ to: solutions@multi-instruments.com

for additional information: 🌐 www.multi-instruments.com

Model NV01

Model selection guide

