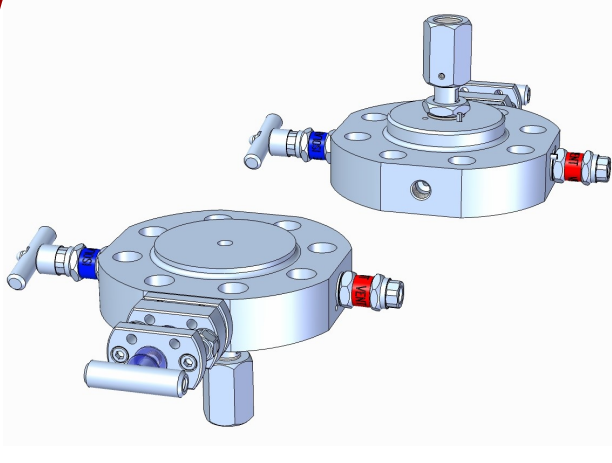


Model MP21 "Pancake"



Design Features

- Self aligning metal seats
- Compact Design
- Non-rotating spindle tip
- Metal seal between body and bonnet
- Bonnet Locking pins
- Safety back seating T-Bar and Anti-Tamper operated valves
- Fire safe OS&Y Primary valve
- Full traceability of all materials
- 100% pressure tested (1,5 x MWP)

Description

The Multi Instruments Slimline Monoflange Manifold

This slimline monoflange is designed to replace the primary and secondary Process valve assemblies which are usually needed for Gauge pressure instruments with a threaded connection.

Included: Adjustable adapter for 360° positioning of manometer or instrument.

Option: integral syphon

It is a combination of the primary process isolation valve (OS&Y), an optional bleed and optional secondary valve, integrated in one forged body.

The main advantages are less leaking points, weight saving and reduction in installation and maintenance time and costs.

Connections

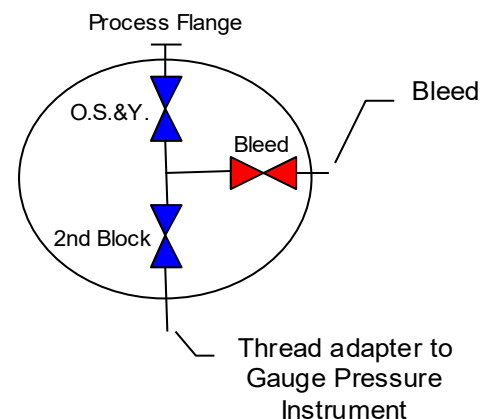
Vent and/or test ports will always be 1/4" thread size, independent of process connection sizes.

See ordering information on the back of this specification sheet for port connection types available.

Options

- Flanges according DIN (EN1092-1) and ANSI
- Flange sizes from 1/2"(DN15) up to 3"(DN80)
- Pressure rating from 150# up to 2500#
- Available in e.g. Monel, Hastelloy, Duplex or Alloy 825/625 compliant materials
- High temperature up to 450°C (Graphite packing)
- High pressure up to 10.000 PSI

Valve Diagram



Head Office: ☎ +31 (0)183 62 88 88 or ✉ to: instrumentation@multi-instruments.com

US + Canada: ☎ +1 587 269 49 88 or ✉ to: solutions@multi-instruments.com

for additional information: 🌐 www.multi-instruments.com

Model MP21 "Pancake"

Model selection guide

