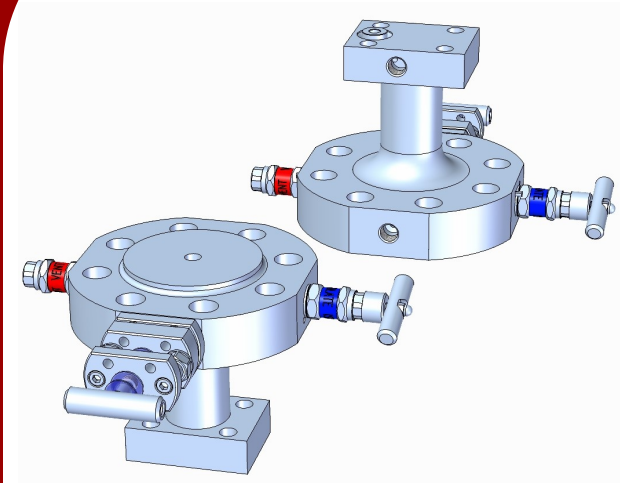




Slimline Process Monoflange Manifolds

Model MP21 "Half DIN19213"



Design Features

- Self aligning metal seats
- Compact Design
- Non-rotating spindle tip
- Metal seal between body and bonnet
- Bonnet Locking pins
- Safety back seating T-Bar and Anti-Tamper operated valves
- Fire safe OS&Y Primary valve
- Full traceability of all materials
- 100% pressure tested (1,5 x MWP)

Description

The Multi Instruments Slimline Monoflange Manifold

This slimline monoflange is designed to replace the primary and secondary Process valve assemblies which are usually needed for Absolute pressure instruments with a Half DIN19213 (no atmospheric port) connection.

It is a combination of the primary process isolation valve (OS&Y), an optional bleed and optional secondary valve integrated in one piece body.

The main advantages are less leaking points, weight saving and reduction in installation and maintenance time and costs.

Maximum working pressure is 420 Bar (AISI316)
Maximum temperature is 200°C (PTFE)

Options

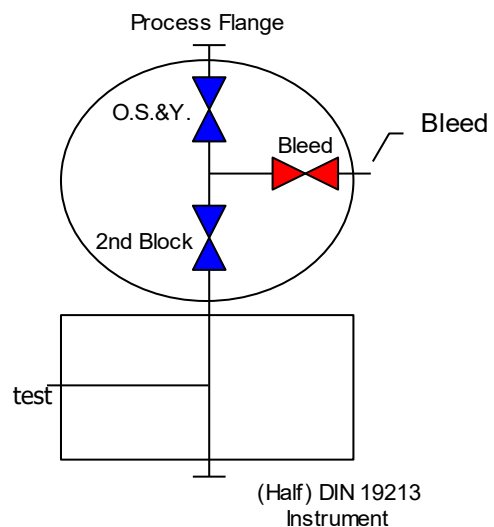
- Flanges according ANSI, EN1092-1 and JIS
- Flange sizes from 1/2"(DN15) up to 3"(DN80)
- Pressure rating from 150# up to 2500#
- Available in e.g. Monel, Hastelloy, Duplex, Super Duplex or Alloy 825/625 compliant materials
- High temperature up to 450°C (Graphite packing)
- High pressure up to 10.000 PSI
- Fugitive Emission design (class AH)

Connections

Per default: Vent and/or test ports will be 1/4" thread size.

See ordering information on the back of this specification sheet for connection types available.

Valve Diagram



Head Office: ☎ +31 (0)183 62 88 88 or ✉ to: instrumentation@multi-instruments.com

US + Canada: ☎ +1 587 269 49 88 or ✉ to: solutions@multi-instruments.com

for additional information: 🌐 www.multi-instruments.com

Model MP21 "Half DIN19213"

Model selection guide

MP21 . DBB . OSY . SG . A0610 . ISO . YP . YG.FE

Pressure Rating

- **01** 150# / PN6
- **03** 300# / PN10
- **06** 600# / PN16
- **09** 900# / PN40
- **15** 1500# / PN100
- **25** 2500#
- ALP 150-600#
- AHP 900-2500#

Flange Standard

- .A ANSI
- .D DIN (EN 1092-1)

Material (wetted parts):

- .SG AISI316/L NACE
- .M Alloy 400 (Monel)
- .H Alloy C276 (Hastelloy)
- .INC825 Alloy 825
- .INC625 Alloy 625
- .D Duplex
- .SD Super Duplex
- .6MO 254SMO / 6Mo

Primary Valve Type

- .OSY OS&Y Valve
- .NVP Needle Valve PTFE
- .NVG Needle Valve Graphite

Primary Valve(s) Function

- .SB Single Block
- .SBB Single Block/Bleed
- .DB Double Block
- .DBB Double Block/Bleed
- .DBV Double Block/Vent

Manifold Function

- MP21 Isolate/Vent manifold function

Flange Size

- 03 1/2" - DN15
- 04 3/4" - DN20
- 05 1" - DN25
- 07 1 1/2" - DN40
- 10 2" - DN50
- 20 3" - DN80

Instrument Interface Options

- .ISO DIN19213 part 2

NOTES

- * For DIN19213 flanged instruments needing an atmospheric DIN port please select the MP22 model.
- * This model is **NOT** available for Integral mounting 3051/2051 Instruments, please use MP22 model for these instrument type.

IMPORTANT

A dummy DIN flanged GP instrument will **NOT** fit on a full DIN19213 interface like the MP22...ISO model because of the raised DIN spigots in this flange !

Manifold Valve(s) Operation Mode

- .YP Mixed PTFE seal
- .YG Mixed Graphite seal
- .TP All T-Bar PTFE seal
- .TG All T-Bar Graphite seal

NOTES

- * OS&Y is always T-Bar/Graphite Mixed(YP/YG): Vent is Anti-Tamper.
- * PTFE <200°C, Graphite <450°C

Additional options

- YG.FE Fugitive Emission Design, class AH
- ITV Internal Test Valve feature