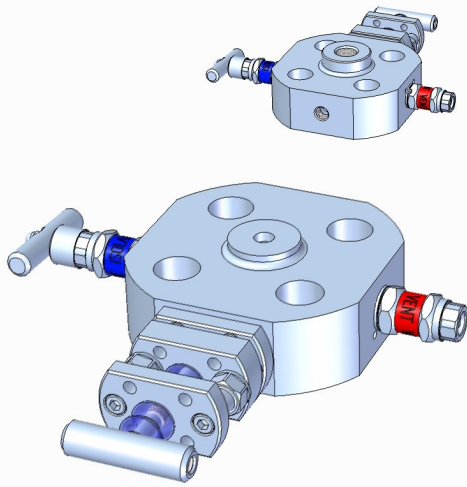


Model MP00 "Pancake"



Design Features

- Self aligning metal seats
- Compact Design
- Non-rotating spindle tip
- Metal seal between body and bonnet
- Bonnet Locking pins
- Safety back seating T-Bar and Anti-Tamper operated valves
- Fire safe OS&Y Primary valve
- Full traceability of all materials
- 100% pressure tested (1,5 x MWP)

Description

The Multi Instruments Slimline Monoflange Manifold

This slimline monoflange is designed to replace the primary and secondary Process valve assemblies and functions as process valve.

Can also be applied on the Low Pressure leg in conjunction with a dp/Flow or Level close coupled monoflange/manifold for a differential pressure measurement. (Models: MD41, MD42, MD59, MD69).

It is a combination of the primary process isolation valve (OS&Y), an optional bleed and optional secondary valve integrated in one piece body.

The main advantages are less leaking points, weight saving and reduction in installation and maintenance time and costs.

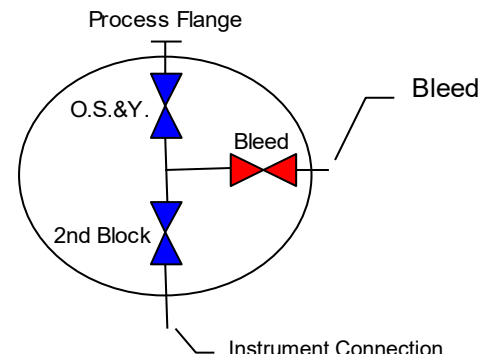
Options

- Flanges according ANSI, EN1092-1 and JIS
- Flange sizes from 1/2"(DN15) up to 3"(DN80)
- Pressure rating from 150# up to 2500#
- Available in e.g. Monel, Hastelloy, Duplex, Super Duplex or Alloy 825/625 compliant materials
- High temperature up to 450°C (Graphite packing)
- High pressure up to 10.000 PSI
- Fugitive Emission design (class AH)

Connections

As default: Vent and/or test ports will be 1/4" thread size.
See ordering information on the back of this specification sheet for port connection types available.

Valve Diagram



Head Office: ☎ +31 (0)183 73 42 00 or ✉ to: instrumentation@multi-instruments.com

US + Canada: ☎ +1 587 269 49 88 or ✉ to: solutions@multi-instruments.com

for additional information: 🌐 www.multi-instruments.com

Model MP00 "Pancake"

Model number selection guide

MP00	.DBB	.OSY	.SG	.A0610	.03N	.TP	.YG.FE	.DP
------	------	------	-----	--------	------	-----	--------	-----

<p>Pressure Rating</p> <ul style="list-style-type: none"> .01 150# / PN6 .03 300# / PN10 .06 600# / PN16 .09 900# / PN40 .15 1500# / PN100 .25 2500# .ALP 150-600# .AHP 900-2500# 	<p>Flange Size</p> <ul style="list-style-type: none"> .03 1/2" - DN15 .04 3/4" - DN20 .05 1" - DN25 .07 1 1/2" - DN40 .10 2" - DN50 .20 3" - DN80
<p>Flange Standard</p> <ul style="list-style-type: none"> .A ANSI .D DIN (EN 1092-1) 	<p>Output Port Connector Options</p> <ul style="list-style-type: none"> .01N 1/4" NPT Female .02N 3/8" NPT Female .03N 1/2" NPT Female .01BP 1/4" BSP.P Female (G1/4") .02BP 3/8" BSP.P Female (G3/8") .03BP 1/2" BSP.P Female (G1/2") .03DF 1/2" BSP.P Female (EN837-1 / DIN16288)
<p>Material (wetted parts):</p> <ul style="list-style-type: none"> .SG AISI316/L NACE .M Alloy 400 (Monel) .H Alloy C276 (Hastelloy) .INC825 Alloy 825 .INC625 Alloy 625 .D Duplex .SD Super Duplex .6M0 254SMO / 6Mo 	<p>Manifold Valve(s) Operation Mode</p> <ul style="list-style-type: none"> .YP Mixed PTFE seal .YG Mixed Graphite seal .TP All T-Bar PTFE seal .TG All T-Bar Graphite seal <p>NOTES</p> <p>* OS&Y is always T-Bar/Graphite Mixed(YP/YG): only Vent/Bleed is Anti-Tamper * PTFE <200°C, Graphite <450°C</p>
<p>Primary Valve Type</p> <ul style="list-style-type: none"> .OSY OS&Y Valve (Fire Safe) .NVP Needle Valve PTFE .NVG Needle Valve Graphite 	<p>Additional options</p> <ul style="list-style-type: none"> .YG.FE Fugitive Emission Design, class AH .TG.FE Fugitive Emission Design, class AH .DP Dual instrument port (Axial - Radial) (Spare plug for second port included) .TST Test Port (Default: 1/4") .LB Large Bore internal drillings (10mm)
<p>Primary Valve(s) Function</p> <ul style="list-style-type: none"> .SB Single Block .SBB Single Block & Bleed .DB Double Block .DBB Double Block & Bleed 	
<p>Manifold Function</p> <ul style="list-style-type: none"> MP00 Process valve 	