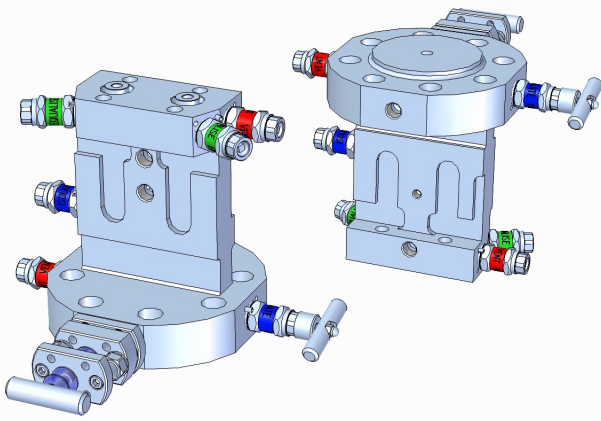


Model MD69



Design Features

- Self aligning metal seats
- Compact Design
- Non-rotating spindle tip
- Metal seal between body and bonnet
- Bonnet Locking pins
- Safety back seating T-Bar and Anti-Tamper operated valves
- Fire safe OS&Y Primary valve
- Full traceability of all materials
- 100% pressure tested (1,5 x MWP)

Description

Multi Instruments Slimline Monoflange Level Manifold

This slimline monoflange Level close coupled manifold is designed to replace all standard valve assemblies which are usually needed for a differential pressure measurement (wet leg) into one single monoflange/manifold.

It is a combination of the primary process isolation valve (OS&Y), a bleed, secondary valve and a double block/equalize/vent configuration, all integrated in one piece body.

The main advantages are less leaking points, weight saving and reduction in installation and maintenance time and costs.

This configuration allows calibration under process conditions using liquid from the vessel.

Connections

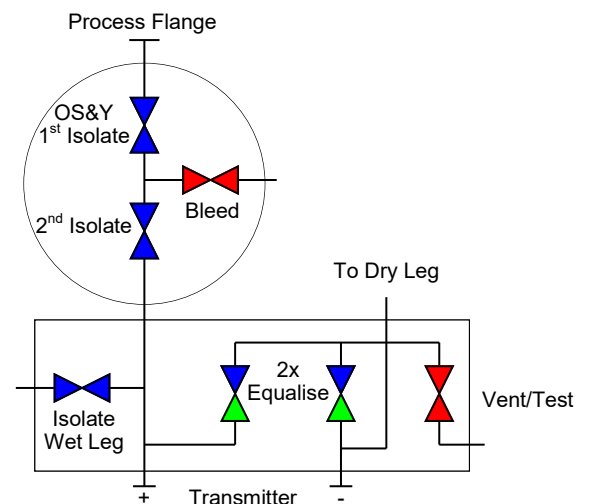
Per default: Vent/Bleed ports will be 1/4" thread size.

See ordering information on the back of this specification sheet for connection types available.

Options

- Flanges according ANSI, EN1092-1 and JIS
- Flange sizes from 1/2"(DN15) up to 3"(DN80)
- Direct mounted transmitter connections and also Rosemount Integral mount / coplanar style.
- Pressure rating from 150# up to 2500#
- Available in e.g. Monel, Hastelloy, Duplex, Super Duplex or Alloy 825/625 compliant materials
- High temperature up to 450°C (Graphite packing)
- High pressure up to 10.000 PSI
- Fugitive Emission design (class AH)

Valve Diagram



Head Office: ☎ +31 (0)183 62 88 88 or ✉ to: instrumentation@multi-instruments.com

US + Canada: ☎ +1 587 269 49 88 or ✉ to: solutions@multi-instruments.com

for additional information: 🌐 www.multi-instruments.com

Model MD69

Model selection guide

MD69	.DBB	.OSY	.SG	.A0610	.ISO	.03N	.YP	.YG.FE
------	------	------	-----	--------	------	------	-----	--------

Pressure Rating

- **01** 150# / PN6
- **03** 300# / PN10
- **06** 600# / PN16
- **09** 900# / PN40
- **15** 1500# / PN100
- **25** 2500#
- ALP 150-600#
- AHP 900-2500#

Flange Standard

- .A ANSI
- .D DIN (EN1092-1)

Material (wetted parts):

- .SG AISI316/L NACE
- .M Alloy 400 (Monel)
- .H Alloy C276 (Hastelloy)
- .INC825 Alloy 825
- .INC625 Alloy 625
- .D Duplex
- .SD Super Duplex

Primary Valve Type

- .OSY OS&Y Valve
- .NVP Needle Valve PTFE
- .NVG Needle Valve Graphite

Primary Valve(s) Function

- .SB Single Block
- .SBB Single Block/Bleed
- .DB Double Block
- .DBB Double Block/Bleed

Manifold Function

- MD69 Level "6-valve" DBB

Flange Size

- 03 1/2" - DN15
- 04 3/4" - DN20
- 05 1" - DN25
- 07 1 1/2" - DN40
- 10 2" - DN50
- 20 3" - DN80

Instrument Interface

- .ISO DIN19213 part 2

LP Port Connector Options

- .01N 1/4" NPT Female
- .02N 3/8" NPT Female
- .03N 1/2" NPT Female
- .01BP 1/4" BSP.P Female
- .02BP 3/8" BSP.P Female
- .03BP 1/2" BSP.P Female

Manifold Valve(s) Operation Mode

- .YP Mixed PTFE seal
- .YG Mixed Graphite seal
- .TP All T-Bar PTFE seal
- .TG All T-Bar Graphite seal

NOTES

- OS&Y is always T-Bar/Graphite.
- Mixed(YP/YG): Vent+Equalize is Anti-Tamper
- * PTFE <200°C, Graphite <450°C

Additional options

- YG.FE Fugitive Emission Design, class AH