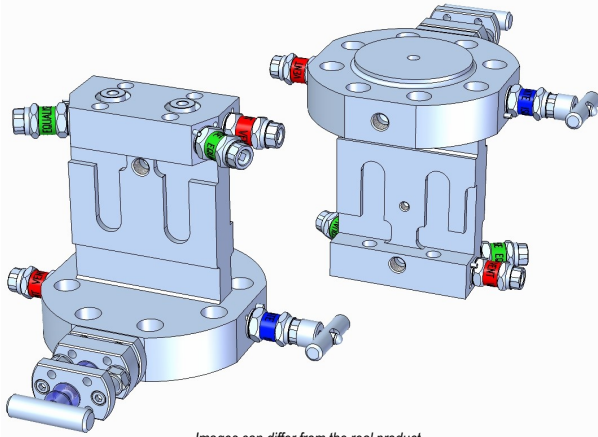


## Model MD51



Images can differ from the real product

### Design Features

- Self aligning metal seats
- Compact Design
- Non-rotating spindle tip
- Metal seal between body and bonnet
- Bonnet Locking pins
- Safety back seating T-Bar and Anti-Tamper operated valves
- Fire safe OS&Y Primary valve
- Full traceability of all materials
- 100% pressure tested (1,5 x MWP)

### Description

#### Multi Instruments Slimline Monoflange Flow/dP Manifold

This slimline monoflange Differential Pressure close coupled manifold is designed to replace all standard valve assemblies which are usually needed for a differential pressure measurement into one single monoflange/manifold.

It is a combination of the primary process isolation valve (OS&Y), a bleed, secondary valve and a double block/equalize/double vent configuration, all integrated in one piece body.

The main advantages are less leaking points, weight saving and reduction in installation and maintenance time and costs.

### Options

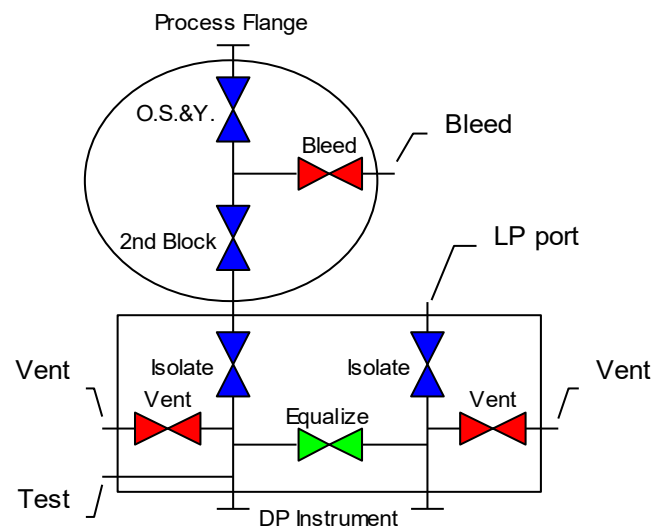
- Flanges according ANSI, EN1092-1 and JIS
- Flange sizes from 1/2"(DN15) up to 3"(DN80)
- Direct mounted transmitter connections and also Rosemount Integral mount / coplanar style.
- Pressure rating from 150# up to 2500#
- Available in e.g. Monel, Hastelloy, Duplex, Super Duplex or Alloy 825/625 compliant materials
- High temperature up to 450°C (Graphite packing)
- High pressure up to 10.000 PSI
- Fugitive Emission design (class AH)

### Connections

Per default: Vent and/or test ports will be 1/4" thread size.

See ordering information on the back of this specification sheet for connection types available.

### Valve Diagram



Head Office: ☎ +31 (0)183 62 88 88 or ✉ to: [instrumentation@multi-instruments.com](mailto:instrumentation@multi-instruments.com)

US + Canada: ☎ +1 587 269 49 88 or ✉ to: [solutions@multi-instruments.com](mailto:solutions@multi-instruments.com)

for additional information: 🌐 [www.multi-instruments.com](http://www.multi-instruments.com)

## Model MD51

### Model selection guide

MD51 . DBB . OSY . SG . **A0610** . ISO . 03BP . YP . **YG.FE**

**Pressure Rating**

- **01** 150# / PN6
- 03 300# / PN10
- **06** 600# / PN16
- 09 900# / PN40
- **15** 1500# / PN100
- **25** 2500#
- ALP 150-600#
- AHP 900-2500#

**Flange Size**

- 03 1/2" - DN15
- 04 3/4" - DN20
- 05 1" - DN25
- 07 1 1/2" - DN40
- 10 2" - DN50
- 20 3" - DN80

**Flange Standard**

- .A ANSI
- .D DIN (EN1092-1)

**Instrument Interface**

- .ISO DIN19213 part 2
- .IM Integral Mounting

**Material (wetted parts):**

- .SG AISI316/L NACE
- .M Alloy 400 (Monel)
- .H Alloy C276 (Hastelloy)
- .INC825 Alloy 825
- .INC625 Alloy 625
- .D Duplex
- .SD Super Duplex

**LP Port Connector Options**

- .KF Kidney Flange Interface
- .01N 1/4" NPT Female
- .02N 3/8" NPT Female
- .03N 1/2" NPT Female
- .01BP 1/4" BSP.P Female
- .02BP 3/8" BSP.P Female
- .03BP 1/2" BSP.P Female

**Primary Valve Type**

- .OSY OS&Y Valve
- .NVP Needle Valve PTFE
- .NVG Needle Valve Graphite

**Manifold Valve(s) Operation Mode**

- .YP Mixed PTFE seal
- .YG Mixed Graphite seal
- .TP All T-Bar PTFE seal
- .TG All T-Bar Graphite seal

**Primary Valve(s) Function**

- .SB Single Block
- .SBB Single Block/Bleed
- .DB Double Block
- .DBB Double Block/Bleed

**NOTES**

- OS&Y is always T-Bar/Graphite.
- Mixed(YP/YG): Vent+Equalize is Anti-Tamper
- \* PTFE <200°C, Graphite <450°C

**Manifold Function**

- MD51 Double Isolate/Equalize/ Double Vent

**Test port Options (.IM version only)**

- .TC Test Connector
- .FC Filling Connector, Non Return

**Additional options**

- YG.FE Fugitive Emission Design, class AH