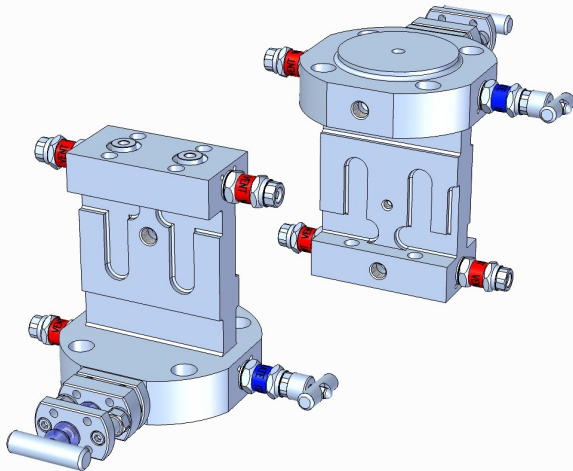


Model MD42



DIN 19213 part 2 interface shown, also available in Integral Mounted instrument interface

Design Features

- Self aligning metal seats
- Compact Design
- Non-rotating spindle tip
- Metal seal between body and bonnet
- Bonnet Locking pins
- Safety back seating T-Bar and Anti-Tamper operated valves
- Fire safe OS&Y Primary valve
- Full traceability of all materials
- 100% pressure tested (1,5 x MWP)

Description

The Multi Instruments Slimline Monoflange Level Manifold

This slimline monoflange Level close coupled manifold is designed to replace all standard valve assemblies which are usually needed for a differential pressure measurement into one single monoflange/manifold.

It is a combination of the primary process isolation valve (OS&Y), a bleed, secondary valve and a double block / double vent configuration, all integrated in one piece body.

The main advantages are less leaking points, weight saving and reduction in installation and maintenance time and costs.

Options

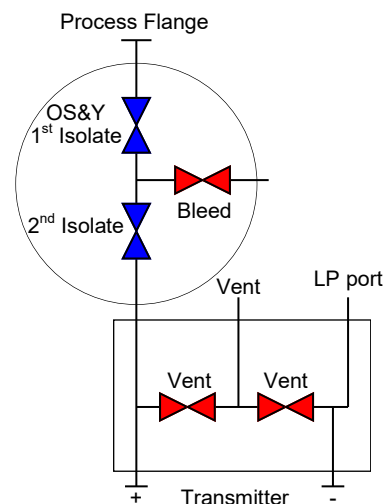
- Flanges according ANSI, EN1092-1 and JIS
- Flange sizes from 1/2"(DN15) up to 3"(DN80)
- Direct mounted transmitter connections and also Rosemount Integral mount / coplanar style
- Pressure rating from 150# up to 2500#
- Available in e.g. Monel, Hastelloy, Duplex, Super Duplex or Alloy 825/625 compliant materials
- High temperature up to 450°C (Graphite packing)
- High pressure up to 10.000 PSI
- Fugitive Emission design (class AH)

Connections

Per default: Vent and/or test ports will be 1/4" thread size.

See ordering information on the back of this specification sheet for connection types available.

Valve Diagram



Head Office: ☎ +31 (0)183 62 88 88 or ✉ to: instrumentation@multi-instruments.com

US + Canada: ☎ +1 587 269 49 88 or ✉ to: solutions@multi-instruments.com

for additional information: 🌐 www.multi-instruments.com

Model MD42

Model selection guide

