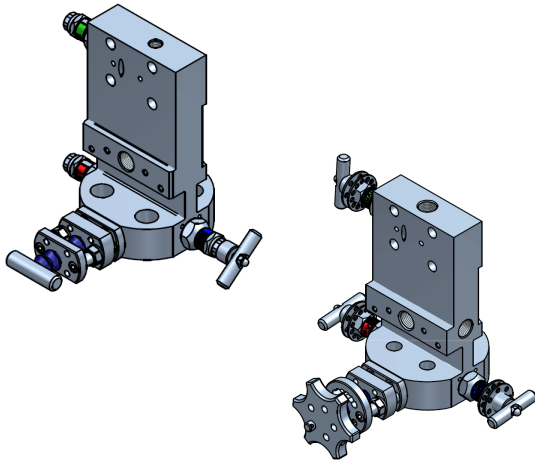


Model MD31



Integral Mounted instrument interface shown, also available in DIN 19213 part 2 interface

Design Features

- Self aligning metal seats
- Compact Design
- Non-rotating spindle tip
- Metal seal between body and bonnet
- Bonnet Locking pins
- Safety back seating T-Bar and Anti-Tamper operated valves
- Fire safe OS&Y Primary valve
- Full traceability of all materials
- 100% pressure tested (1,5 x MWP)

Description

Multi Instruments Slimline Monoflange Flow/dP Manifold

This slimline monoflange Flow/dP/Level close coupled manifold is designed to replace all standard valve assemblies which are usually needed for a differential pressure measurement into one single monoflange/manifold.

It is a combination of the primary process isolation valve (OS&Y), a bleed, secondary valve and a double block / equalize configuration, all integrated in one piece body.

The main advantages are less leaking points, weight saving and reduction in installation and maintenance time and costs.

Options

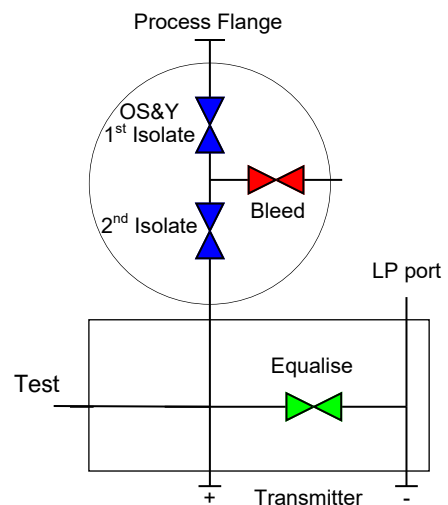
- Flanges according ANSI, EN1092-1 and JIS
- Flange sizes from 1/2"(DN15) up to 3"(DN80)
- Direct mounted transmitter connections and also Rosemount Integral mount / coplanar style
- Pressure rating from 150# up to 2500#
- Available in e.g. Monel, Hastelloy, Duplex, Super Duplex or Alloy 825/625 compliant materials
- High temperature up to 450°C (Graphite packing)
- High pressure up to 10.000 PSI
- Fugitive Emission design (class AH)

Connections

Per default: Vent and/or test ports will be 1/4" thread size.

See ordering information on the back of this specification sheet for connection types available.

Valve Diagram



Head Office: ☎ +31 (0)183 62 88 88 or ✉ to: instrumentation@multi-instruments.com

US + Canada: ☎ +1 587 269 49 88 or ✉ to: solutions@multi-instruments.com

for additional information: 🌐 www.multi-instruments.com

Model MD31 "Full DIN19213 / Integral Mounting"

Model selection guide

MD31	.DBB	.OSY	.SG	.A0610	.IM	.03N	.TP	.YG.FE
------	------	------	-----	--------	-----	------	-----	--------

Pressure Rating

- .01 150# / PN6
- .03 300# / PN10
- .06 600# / PN16
- .09 900# / PN40
- .15 1500# / PN100
- .25 2500#
- .ALP 150-600#
- .AHP 900-2500#

Flange Size

- .03 1/2" - DN15
- .04 3/4" - DN20
- .05 1" - DN25
- .07 1 1/2" - DN40
- .10 2" - DN50
- .20 3" - DN80

Flange Standard

- .A ANSI
- .D DIN (EN1092-1)

Instrument Interface

- .ISO DIN19213 part 2
- .IM Integral Mounting

Material (wetted parts):

- .SG AISI316/L NACE
- .M Alloy 400 (Monel)
- .H Alloy C276 (Hastelloy)
- .INC825 Alloy 825
- .INC625 Alloy 625
- .D Duplex
- .SD Super Duplex

LP Port Connector Options

- .KF Kidney Flange Interface
- .01N 1/4" NPT Female
- .02N 3/8" NPT Female
- .03N 1/2" NPT Female
- .01BP 1/4" BSP.P Female
- .02BP 3/8" BSP.P Female
- .03BP 1/2" BSP.P Female

Primary Valve Type

- .OSY OS&Y Valve
- .NVP Needle Valve PTFE
- .NVG Needle Valve Graphite

Manifold Valve(s) Operation Mode

- .YP Mixed PTFE seal
- .YG Mixed Graphite seal
- .TP All T-Bar PTFE seal
- .TG All T-Bar Graphite seal

Primary Valve(s) Function

- .SB Single Block
- .SBB Single Block/Bleed
- .DB Double Block
- .DBB Double Block/Bleed

NOTES

- OS&Y is always T-Bar/Graphite.
- Mixed(YP/YG): Equalize is Anti-Tamper
- * PTFE <200°C, Graphite <450°C

Manifold Function

- MD31 Single or Double Isolate Bleed and Equalize

Test port Options (.IM version only)

- .TC Test Connector
- .FC Filling Connector, Non Return
- .VT03N Vent: 2 x 1/2" NPT female

Additional options

- YG.FE Fugitive Emission Design, class AH