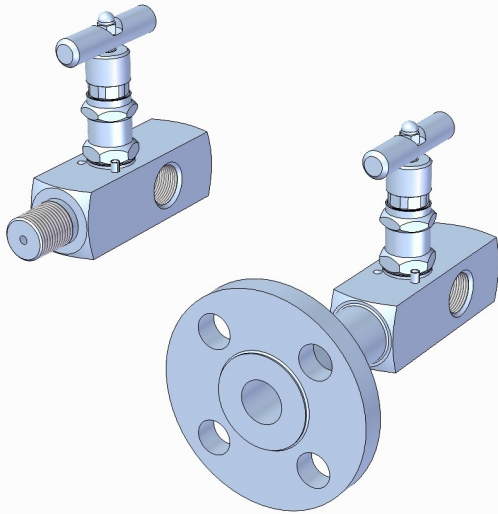


Model MV01



Design Features

- Self aligning metal seats
- Compact Design
- Non-rotating spindle tip
- Metal seal between body and bonnet
- Bonnet Locking pins
- Safety back seating T-Bar and optional Anti-Tamper operated valves
- Full traceability of all materials
- 100% pressure tested (1,5 x MWP)

Description

The Multi Instruments Multiport Gauge Valves

The Multi Instruments multiport valve is a needle pattern valve with a non-rotating spindle tip, ensuring a positive bubble tight shut-off function.

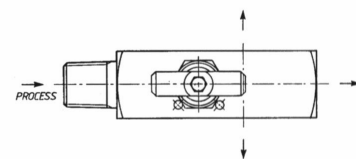
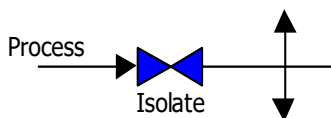
Standard valves in stainless steel are suitable for most process applications, however for severe applications, needle valves in "exotic" materials are available.

Maximum working pressure is 420 Bar (AISI316)
Maximum temperature is 200°C (PTFE packing)

Options

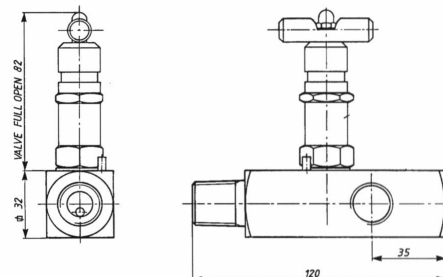
- Anti tamper facility with a removable T-bar key to prevent unauthorized operation of the valve.
- Sour Gas Service
- [OS] Oxygen Service (cleaned for oxygen service)
- Available in e.g. Monel, Hastelloy, Duplex, Super Duplex, Alloy 825, Alloy 625 materials.
- (NACE MR01-75 compliant)
- High temperature up to 450°C (Graphite packing)
- High pressure up to 680 Bar (10.000 psi)

Valve Diagram



Connections

See ordering information on the back of this specification sheet for port connection types available.



Head Office: ☎ +31 (0)183 62 88 88 or ✉ to: instrumentation@multi-instruments.com

US + Canada: ☎ +1 587 269 49 88 or ✉ to: solutions@multi-instruments.com

for additional information: 🌐 www.multi-instruments.com

Model MV01

Model selection guide

MV01 . SG . N03 . 03NF . TP

Process Connection Options:

- .N01 1/4" NPT male
- .N02 3/8" NPT male
- .N03 1/2" NPT male
- .N04 3/4" NPT male

- .BP01 1/4" BSP.P (G1/4") male
- .BP02 3/8" BSP.P (G3/8") male
- .BP03 1/2" BSP.P (G1/2") male
- .D03 1/2" BSP.P male (EN837-1)

- .BW03 1/2" Butt weld Sch80
- .BW04 3/4" Butt weld Sch80

- .PE03 1/2" Plain End (male SW)
- .PE04 3/4" Plain End (male SW)

- A0103 Flanged: 1/2" class 150
- A0303 Flanged: 1/2" class 300 etc.
- A0104 Flanged: 3/4" class 150
- A0304 Flanged: 3/4" class 300 etc.

Material (wetted parts):

- .SG AISI316/L NACE
- .M Alloy 400 (Monel)
- .H Alloy C276 (Hastelloy)
- .INC825 Alloy 825
- .INC625 Alloy 625
- .D Duplex
- .SD Super Duplex
- .6M0 254SMO / 6Mo
- Ti Titanium Gr.2

Model Description

- MV01 Multiport Gauge Valve default length: 120 mm

Instrument Port Options

- .01NF 1/4" NPT female
- .03NF 1/2" NPT female etc.

NOTES

* One top and Two side ports

Valve Operation Mode

- .TP T-Bar valve heads - PTFE packing
- .TG T-Bar valve heads - Graphite packing
- .AP Anti-Tamper valve heads - PTFE packing
- .AG Anti-Tamper valve head - Graphite pack.

NOTES

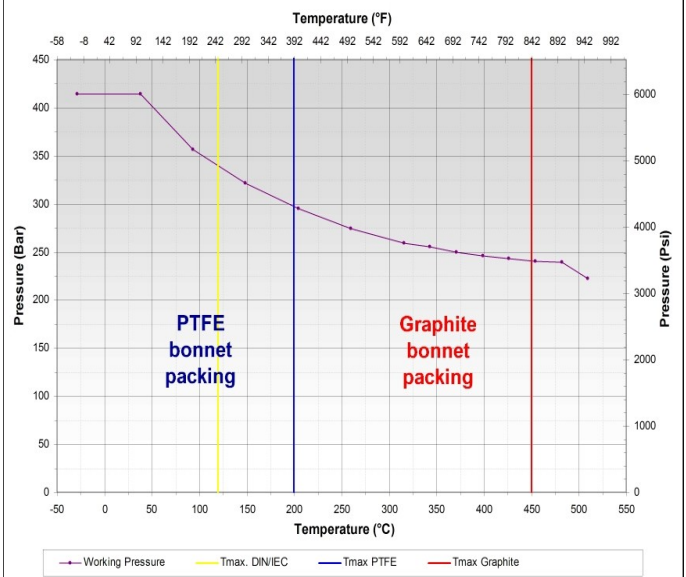
* PTFE <200°C, Graphite <450°C

Valve Options

- .OS Oxygen Service

NOTE: Butt Weld connection=sch80(standard) or sch160(NON standard)

Temperature / Pressure ratio for AISI316 acc. ASME B16.34
Table 2-2.2A Standard Class



Head Office: ☎ +31 (0)183 62 88 88 or ✉ to: instrumentation@multi-instruments.com

US + Canada: ☎ +1 587 269 49 88 or ✉ to: solutions@multi-instruments.com

for additional information: 🌐 www.multi-instruments.com