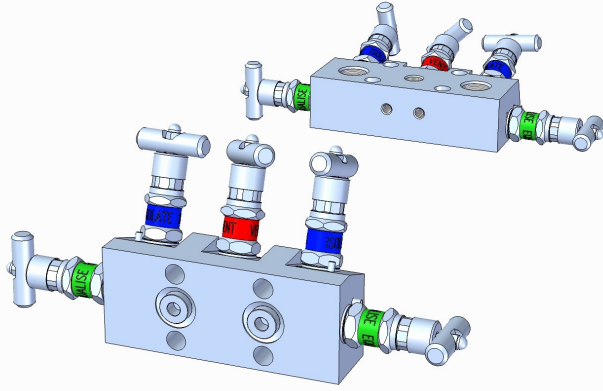


Model MD55D



Design Features

- Self aligning metal seats
- Compact Design
- Non-rotating spindle tip
- Metal seal between body and bonnet
- Bonnet Locking pins
- Safety back seating T-Bar and Anti-Tamper operated valves
- Full traceability of all materials
- 100% pressure tested (1,5 x MWP)

Description

The Multi Instruments Direct Mount Model Manifolds

This compact Direct mount model 5-valve manifold is designed to accommodate any Differential pressure transmitter. Using threaded connections and impulse piping.

This manifold is standard produced in AISI316/L NACE material, but "exotic" materials are also available.

Maximum working pressure is 420 Bar (AISI316)
Maximum temperature is 200°C (PTFE packing)

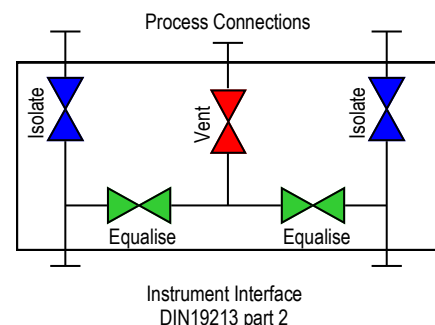
Options

- Anti tamper facility with a removable T-bar key to prevent unauthorized operation of the valve
- Sour Gas Service
- Mounting brackets for 2" pipe stand
- Available in e.g. Monel, Hastelloy, Duplex, Super Duplex, Alloy 825, Alloy 625 materials.
- (NACE MR01-75 compliant)
- High temperature up to 450°C (Graphite packing)
- High pressure up to 680 Bar (10.000 psi)

Connections

See ordering information on the back of this specification sheet for port connection types available.

Valve Diagram



Head Office: ☎ +31 (0)183 62 88 88 or ✉ to: instrumentation@multi-instruments.com

US + Canada: ☎ +1 587 269 49 88 or ✉ to: solutions@multi-instruments.com

for additional information: 🌐 www.multi-instruments.com

Model MD55D

Model number selection guide

MD55D . SG . N03 . ISO . TP

Transmitter Interface Options

- .ISO DIN 19213 part 2
- .IM Integral Mounted

Output Connector Options

- .03N 1/2" NPT Female

Process Connector Options

- .N01 1/4" NPT Female
- .N02 3/8" NPT Female
- .N03 1/2" NPT Female
- .BP01 1/4" BSP.P Female (G1/4")
- .BP02 3/8" BSP.P Female
- .BP03 1/2" BSP.P Female (G1/2")

Note:

- * Default vents = 1/4" female

Material (wetted parts):

- .SG AISI316/L NACE
- .M Alloy 400 (Monel)
- .H Alloy C276 (Hastelloy)
- .INC825 Alloy 825
- .INC625 Alloy 625
- .D Duplex
- .SD Super Duplex
- .6M0 254SMO / 6Mo
- .Ti Titanium Gr 2

Manifold Function

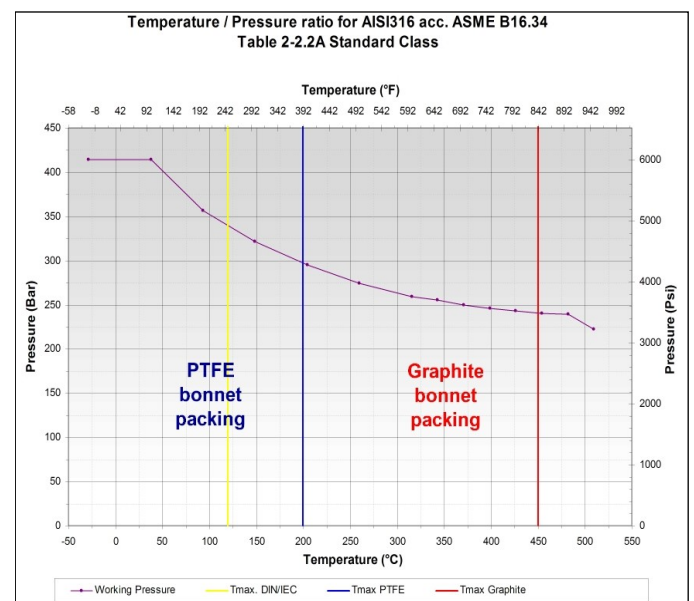
- MD55D Direct Double Isolate/
Split Equalise/
Vent manifold.

Manifold Valve(s) Operation Mode

- .YP Mixed - PTFE seal
- .YG Mixed - Graphite seal
- .TP All T-Bar - PTFE seal
- .TG All T-Bar - Graphite seal
- .AP All Anti Tamper - PTFE seal
- .AG All Anti Tamper - Graphite seal

* Isolate valve is T-Bar operated, in Mixed only Equalize/Vent valve is Anti-Tamper.

* PTFE <200°C, Graphite <450°C



Head Office: ☎ +31 (0)183 62 88 88 or ✉ to: instrumentation@multi-instruments.com

US + Canada: ☎ +1 587 269 49 88 or ✉ to: solutions@multi-instruments.com

for additional information: 🌐 www.multi-instruments.com