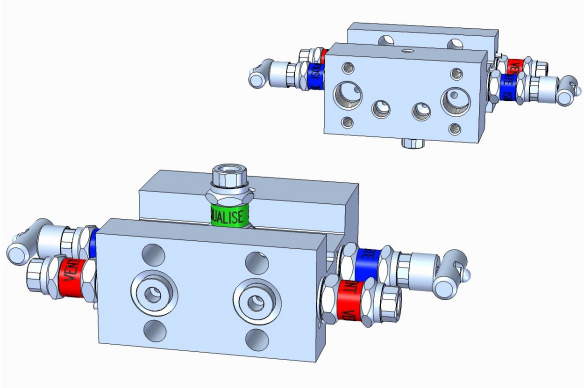


Model MD52H



Design Features

- Self aligning metal seats
- Compact Design
- Non-rotating spindle tip
- Metal seal between body and bonnet
- Bonnet Locking pins
- Safety back seating T-Bar and Anti-Tamper operated valves
- Full traceability of all materials
- 100% pressure tested (1,5 x MWP)

Description

The Multi Instruments H-Model Manifolds

This compact H-model 5-valve manifold is designed to accommodate any DIN19213 part 2 instrument interface compliant Differential pressure transmitter.

This manifold is standard produced in AISI316/L material, but "exotic" materials are also available.

Maximum working pressure is 420 Bar (AISI316)
Maximum temperature is 200°C (PTFE packing)

Options

- Anti tamper facility with a removable T-bar key to prevent unauthorized operation of the valve
- Sour Gas Service
- Mounting plates for 2" pipe stand
- Available in e.g. Monel, Hastelloy, Duplex, Super Duplex, Alloy 825, Alloy 625 materials.
(NACE MR01-75 compliant)
- Body enclosure and EEx manifold heater
- High temperature up to 450°C (Graphite packing)
- High pressure up to 680 Bar (10.000 psi)

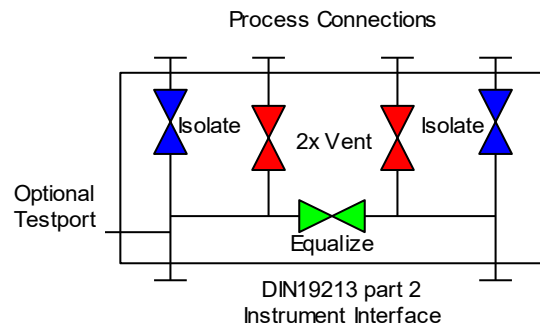
Connections

Per default: Vent and/or test ports will be 1/4" thread size.

See ordering information on the back of this specification sheet for port connection types available.

Process port pitch is 80 mm. Vent ports are situated at the same side as the process ports.

Valve Diagram



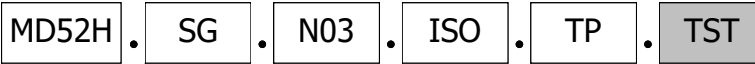
Head Office: ☎ +31 (0)183 62 88 88 or ✉ to: instrumentation@multi-instruments.com

US + Canada: ☎ +1 587 269 49 88 or ✉ to: solutions@multi-instruments.com

for additional information: 🌐 www.multi-instruments.com

Model MD52H

Model selection guide



Manifold Valve(s) Operation Mode

- .YP Mixed - PTFE seal
 - .YG Mixed - Graphite seal
 - .TP All T-Bar - PTFE seal
 - .TG All T-Bar - Graphite seal
 - .AP All Anti Tamper - PTFE seal
 - .AG All Anti Tamper - Graphite seal
- * Isolate valve is T-Bar operated, in Mixed only Equalize/Vent valve is Anti-Tamper.
* PTFE <200°C, Graphite <450°C

Manifold Options

- .TST Extra testport (default: 1/4")
- .BP Plugged test port
- .TC Test connector
- .FC Non Return Filling connector

NOTES

- * Filling/Test connectors include the test port option.
- * Test port executed in the same thread as the process connections.

Instrument Interface

- .ISO DIN19213 part 2

Process Connector Options

- .N01 1/4" NPT Female
- .N02 3/8" NPT Female
- .N03 1/2" NPT Female
- .BP01 1/4" BSP.P Female (G1/4")
- .BP02 3/8" BSP.P Female
- .BP03 1/2" BSP.P Female (G1/2")

Material (wetted parts):

- .SG AISI316/L NACE
- .M Alloy 400 (Monel)
- .H Alloy C276 (Hastelloy)
- .INC825 Alloy 825
- .INC625 Alloy 625
- .D Duplex
- .SD Super Duplex
- .6M0 254SMO / 6Mo
- Ti Titanium Gr2

Manifold Function

- MD52H H-Model Double Isolate/Equalize/Double Vent.

