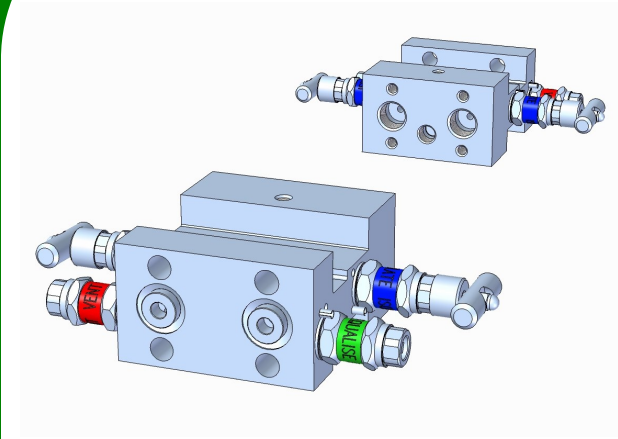


## Model MD41H



### Design Features

- Self aligning metal seats
- Compact Design
- Non-rotating spindle tip
- Metal seal between body and bonnet
- Bonnet Locking pins
- Safety back seating T-Bar and Anti-Tamper operated valves
- Full traceability of all materials
- 100% pressure tested (1,5 x MWP)

### Description

#### **The Multi Instruments H-Model Manifolds**

This compact H-model 4-valve manifold is designed to accommodate any DIN19213 part 2 instrument interface compliant Differential pressure transmitter.

This manifold is standard produced in AISI316/L material, but "exotic" materials are also available.

Maximum working pressure is 420 Bar (AISI316)  
Maximum temperature is 200°C (PTFE packing)

### Options

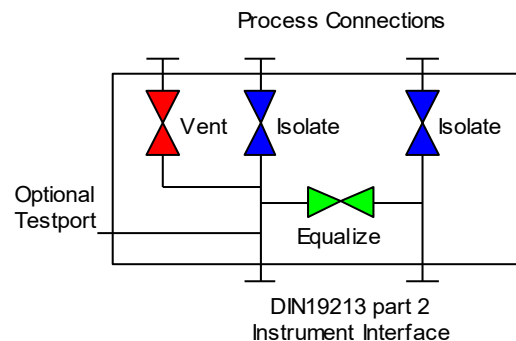
- Anti tamper facility with a removable T-bar key to prevent unauthorized operation of the valve
- Sour Gas Service
- Mounting plates for 2" pipe stand
- Available in e.g. Monel, Hastelloy, Duplex, Super Duplex, Alloy 825, Alloy 625 materials.  
(NACE MR01-75 compliant)
- Body enclosure and EEx manifold heater
- High temperature up to 450°C (Graphite packing)
- High pressure up to 680 Bar (10.000 psi)

### Connections

Per default: Vent and/or test ports will be 1/4" thread size.

See ordering information on the back of this specification sheet for process port connection types available.

### Valve Diagram



Head Office: ☎ +31 (0)183 73 42 00 or ✉ to: [instrumentation@multi-instruments.com](mailto:instrumentation@multi-instruments.com)

US + Canada: ☎ +1 587 269 49 88 or ✉ to: [solutions@multi-instruments.com](mailto:solutions@multi-instruments.com)

for additional information: 🌐 [www.multi-instruments.com](http://www.multi-instruments.com)

## Model MD41H

### Model selection guide

MD41H . SG . BP01 . ISO . YP . \*\*

#### Manifold Valve(s) Operation Mode

- .YP Mixed - PTFE seal
  - .YG Mixed - Graphite seal
  - .TP All T-Bar - PTFE seal
  - .TG All T-Bar - Graphite seal
  - .AP All Anti Tamper - PTFE seal
  - .AG All Anti Tamper - Graphite seal
- \* Isolate valve is T-Bar operated, in Mixed only Equalize/Vent valve is Anti-Tamper.  
\* PTFE <200°C, Graphite <450°C

#### \*\* Manifold Options

- .XS compact model: 100mm
- .TST Extra testport (default: ¼")
- .BP Plugged testport

#### NOTES

\* Testport executed in the same thread as the process connections.

#### Instrument Interface

- .ISO DIN19213 part 2

#### Process Connector Options

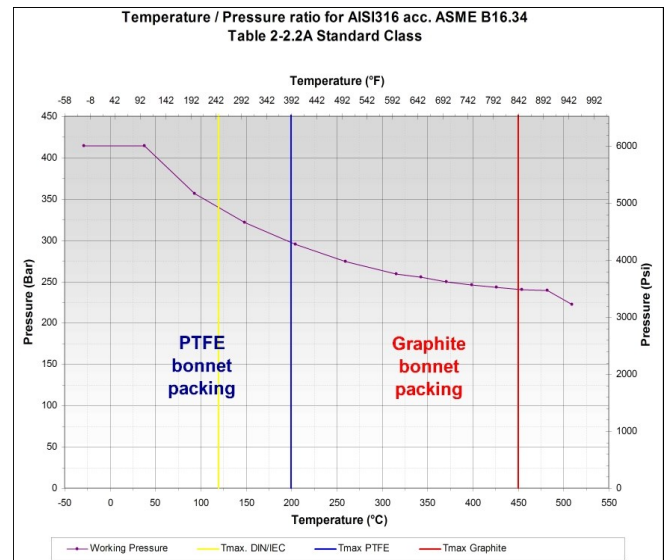
- .N01 1/4" NPT Female
- .N02 3/8" NPT Female
- .N03 1/2" NPT Female
- .BP01 1/4" BSP.P Female (G1/4")
- .BP02 3/8" BSP.P Female
- .BP03 1/2" BSP.P Female (G1/2")

#### Material (wetted parts):

- .SG AISI316/L NACE
- .M Alloy 400 (Monel)
- .H Alloy C276 (Hastelloy)
- .INC825 Alloy 825
- .INC625 Alloy 625
- .D Duplex
- .SD Super Duplex
- .6M0 254SMO / 6Mo
- Ti Titanium Gr2

#### Manifold Function

- MD41H H-Model Double Isolate/Equalize/Vent manifold.



#### MESC Models SPE 60.98.56/201 Type A (added to modelnumber MD41H.SG.BP01.ISO.YP.xxx)

Tube compression fittings included:

- .M10 60.98.56.205.1 10mm OD
- .I02 60.98.56.207.1 3/8" OD