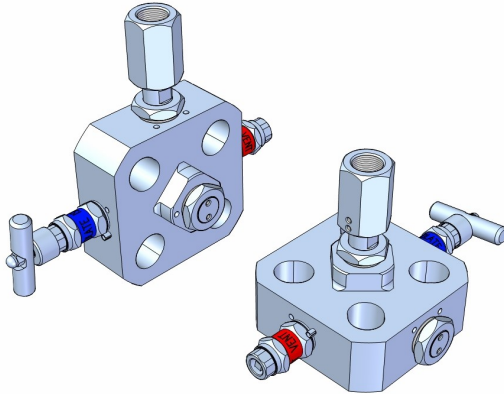


Model IVGA02



Design Features

- Self aligning metal seats
- Compact Design
- Non-rotating spindle tip
- Metal seal between body and bonnet
- Bonnet Locking pins
- Horizontal & Vertical Gauge Adapter port
- Safety back seating T-Bar and Anti-Tamper operated valves
- Full traceability of all materials
- 100% pressure tested (1,5 x MWP)

Description

The Multi Instruments Isovent Gauge Adapter Valves

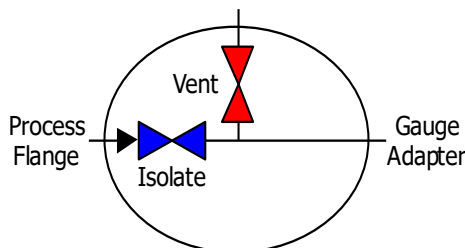
The Iso-vent instrument monoflange Gauge Adapter valve (900-2500#) is a needle pattern valve with a non-rotating spindle tip, ensuring a positive bubble tight shut-off function. Standard valves in stainless steel are suitable for most process applications, however for severe applications, "exotic" materials are available.

Maximum working pressure is 420 Bar (AISI316)
Maximum temperature is 200°C (PTFE packing)

Options

- Anti tamper facility with a removable T-bar key to prevent unauthorized operation of the valve.
- Sour Gas Service
- [OS] Oxygen Service (cleaned for oxygen service)
- Available in e.g. Monel, Hastelloy, Duplex, Super Duplex or Alloy 825/625 compliant materials
- High temperature up to 450°C (Graphite packing)
- Integrated Syphon possibility

Valve Diagram

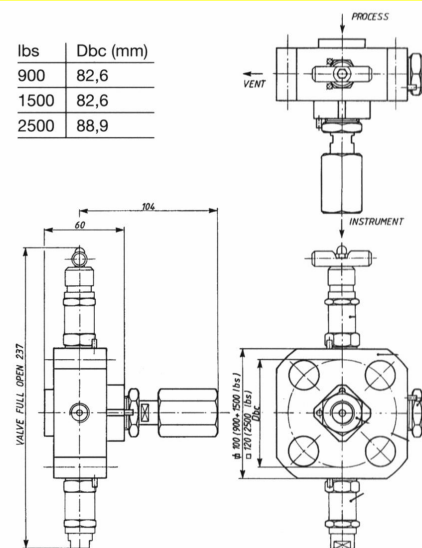


Connections

See ordering information on the back of this specification sheet for port connection types available.

Valve Drawing

lbs	Dbc (mm)
900	82,6
1500	82,6
2500	88,9



Head Office: ☎ +31 (0)183 62 88 88 or ✉ to: instrumentation@multi-instruments.com

US + Canada: ☎ +1 587 269 49 88 or ✉ to: solutions@multi-instruments.com

for additional information: 🌐 www.multi-instruments.com

Model IVGA02

Model selection guide

IVGA02 . SG . A03 . 03NF . 01BP . YP . SY

Vent Port Options

- .01N 1/4" NPT female
- .01BP 1/4" BSP.P female (G1/4")

Gauge Adapter Options

- .03NF 1/2" NPT female
- .03BPF 1/2" BSP.P female (EN837-1 / DIN16288)

Note: Dual output: Gauge adapter can be Axial or Radial mounted

Process Flange Size

- .A03 1/2" - DN15 RF SF
- .A04 3/4" - DN20 RF SF
- .A05 1" - DN25 RF SF

Material (wetted parts):

- .SG AISI316/L NACE
- .M Alloy 400 (Monel)
- .H Alloy C276 (Hastelloy)
- .INC825 Alloy 825
- .INC625 Alloy 625
- .D Duplex
- .SD Super Duplex
- .6M0 254SMO / 6Mo
- Ti Titanium Gr2

Model Description

- IVGA02 Instrument Monoflange IsoVent Gauge Adapter Pressure class: 900 – 2500

Valve(s) Operation Mode

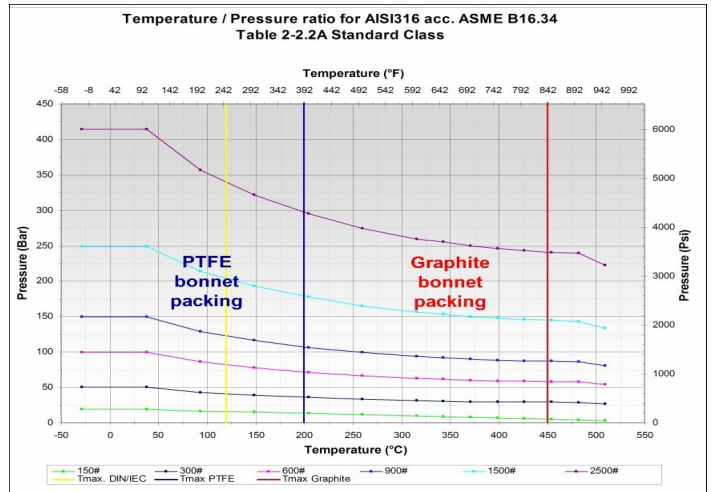
- .YP Mixed - PTFE seal
- .YG Mixed - Graphite seal
- .TP All T-Bar - PTFE seal
- .TG All T-Bar - Graphite seal
- .AP All Anti Tamper - PTFE seal
- .AG All Anti Tamper - Graphite seal

NOTES

- * OS&Y is always T-Bar/Graphite
- Mixed(YP/YG): only Vent/Bleed is Anti-Tamper
- * PTFE <200°C, Graphite <450°C

Valve Options

- .SY Syphon in Gauge Adapter
- .SRP PTFE sealing ring between body & adapter



MESC Models

60.98.55.210.1 HPR, PTFE Packings, 1/2" NPT female
IVGA02.SG.A03.03NF.01BP.YP

60.98.55.230.1 HPR, PTFE Packings, 1/2" BSP.P female
IVGA02.SG.A03.03BPF.01BP.YP (EN837-1/ DIN16288)

60.98.55.310.1 HPR, PTFE Packings, 1/2" NPT fem. + Syphon
IVGA02.SG.A03.03NF.01BP.YP.SY

60.98.55.330.1 HPR, PTFE Packings, 1/2" BSP.P fem. + Syphon
IVGA02.SG.A03.03BPF.01BP.YP.SY (EN837-1/ DIN16288)



Head Office: ☎ +31 (0)183 62 88 88 or ✉ to: instrumentation@multi-instruments.com

US + Canada: ☎ +1 587 269 49 88 or ✉ to: solutions@multi-instruments.com

for additional information: 🌐 www.multi-instruments.com