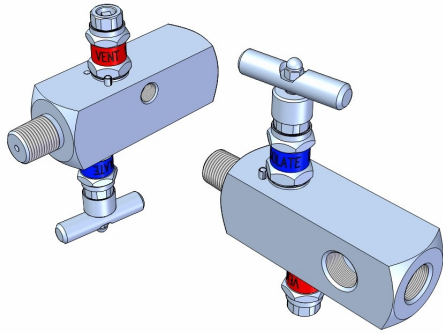


Model IV03



Design Features

- Self aligning metal seats
- Compact Design
- Non-rotating spindle tip
- Metal seal between body and bonnet
- Bonnet Locking pins
- Safety back seating T-Bar and optional Anti-Tamper operated valves
- Full traceability of all materials
- 100% pressure tested (1,5 x MWP)

Description

The Multi Instruments Isovent Valves

The Multi Instruments isovent valve is a needle pattern valve with a non-rotating spindle tip, ensuring a positive bubble tight shut-off function.

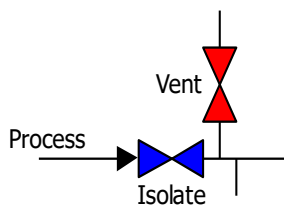
Standard valves in stainless steel are suitable for most process applications, however for severe applications, needle valves in "exotic" materials are available.

Maximum working pressure is 420 Bar (AISI316)
Maximum temperature is 200°C (PTFE packing)

Options

- Anti tamper facility with a removable T-bar key to prevent unauthorized operation of the valve.
- Sour Gas Service
- Oxygen Service
- Available in e.g. Monel, Hastelloy, Duplex, Super Duplex, Alloy 825, Alloy 625 materials.
- (NACE MR01-75 compliant)
- High temperature up to 450°C (Graphite packing)
- High pressure up to 680 Bar (10.000 psi)
- Optional: Fire safe OS&Y Primary valve

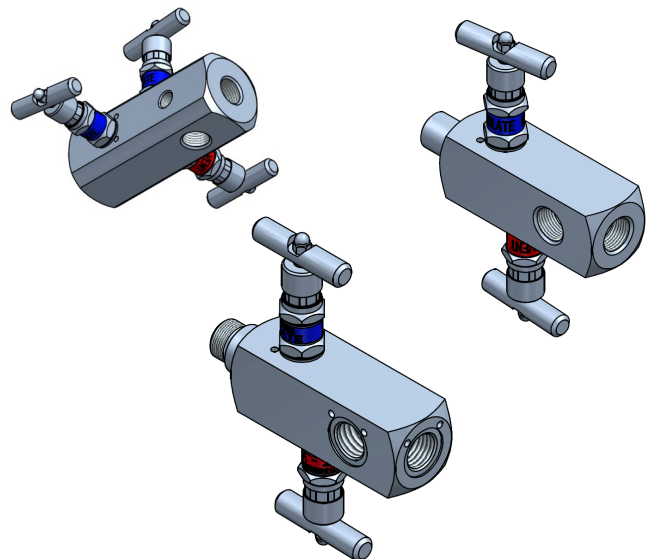
Valve Diagram



Connections

See ordering information on the back of this specification sheet for port connection types available.

Configurations



Head Office: ☎ +31 (0)183 62 88 88 or ✉ to: instrumentation@multi-instruments.com

US + Canada: ☎ +1 587 269 49 88 or ✉ to: solutions@multi-instruments.com

for additional information: 🌐 www.multi-instruments.com

Model IV03

Model selection guide

IV03

. SG

. N04

. 03NF

. TP

. EXT75

Process Connection Options:

- .N01 1/4" NPT male
- .N02 3/8" NPT male
- .N03 1/2" NPT male
- .N04 3/4" NPT male

- .BP01 1/4" BSP.P (G1/4")
- .BP02 3/8" BSP.P (G3/8")
- .BP03 1/2" BSP.P (G1/2")
- .D03 1/2" BSP.P male (EN837-1)
- .BW03 1/2" Butt weld Sch80
- .BW04 1/4" Butt weld Sch80

- .PE03 1/2" Plain End (male SW)

Output Options:

ONLY WHEN DIFFERENT FROM INPUT

- .01NF 1/4" NPT female
- .02NF 3/8" NPT female
- .03NF 1/2" NPT female
- .04NF 3/4" NPT female

- .01BPF 1/4" BSP.P (G1/4") female
- .02BPF 3/8" BSP.P (G3/8") female
- .03BPF 1/2" BSP.P (G1/2") female
- .03DF 1/2" BSP.P fem. (EN837-1)

Material (wetted parts):

- .SG AISI316/L NACE
- .M Alloy 400 (Monel)
- .H Alloy C276 (Hastelloy)
- .INC825 Alloy 825
- .INC625 Alloy 625
- .D Duplex
- .SD Super Duplex
- .6M0 254SMO / 6Mo

Valve Operation Mode

- .TP T-Bar valve heads - PTFE packing
- .TG T-Bar valve heads - Graphite packing
- .AP Anti-Tamper valve heads - PTFE packing
- .AG Anti-Tamper valve head - Graphite pack.
- .YP Mixed valve heads - PTFE
- .YG Mixed valve heads - Graphite

NOTES

- * PTFE <200°C, Graphite <450°C
- * Vent is 1/4" as default.

Model Description

- IV03 Isovent Valve
IV03.SG.N03.TP
- IV03.DBB Isovent Valve with
Double Isolate
IV03.DBB.SG.N03.TP

Extra Valve Options

- .EXT50 50mm extension of the valve
- .EXT75 75mm extension of the valve
- .OS Cleaned for Oxygen Service

NOTE: Butt Weld connection=sch80(standard)
or sch160(NON standard)

Head Office: ☎ +31 (0)183 62 88 88 or ✉ to: instrumentation@multi-instruments.com

US + Canada: ☎ +1 587 269 49 88 or ✉ to: solutions@multi-instruments.com

for additional information: 🌐 www.multi-instruments.com