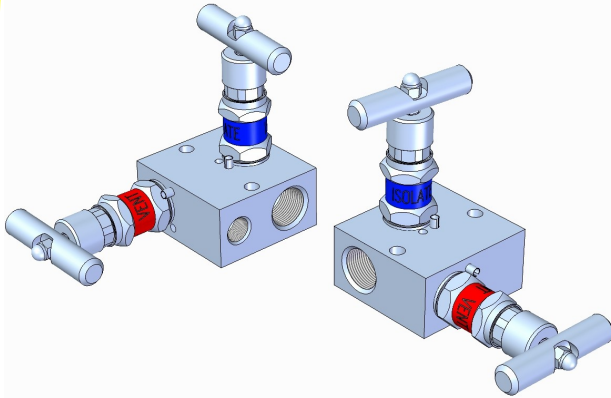


Model IV01



Design Features

- Self aligning metal seats
- Compact Design
- Non-rotating spindle tip
- Metal seal between body and bonnet
- Bonnet Locking pins
- Safety back seating T-Bar and Anti-Tamper operated valves
- Full traceability of all materials
- 100% pressure tested (1,5 x MWP)

Description

The Multi Instruments Isovent Valves

The Multi Instruments Isovent Valve is a needle pattern valve with a non-rotating spindle tip, ensuring a positive bubble tight shut-off function.

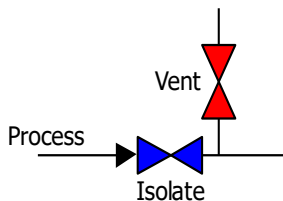
Standard valves in stainless steel are suitable for most process applications, however for severe applications, needle valves in "exotic" materials are available.

Maximum working pressure: 420 Bar (6000psi)
Maximum working temperature: +200°C (PTFE)

Options

- Anti tamper facility with a removable T-bar key to prevent unauthorized operation of the valve.
- Panel mount facility
- Sour Gas Service
- Oxygen Service
- Available in e.g. Monel, Hastelloy, Duplex, Super Duplex, Alloy 825, Alloy 625 materials.
(NACE MR01-75 compliant)
- High temperature up to 450°C (Graphite packing)
- High pressure up to 680 Bar (10.000 psi)

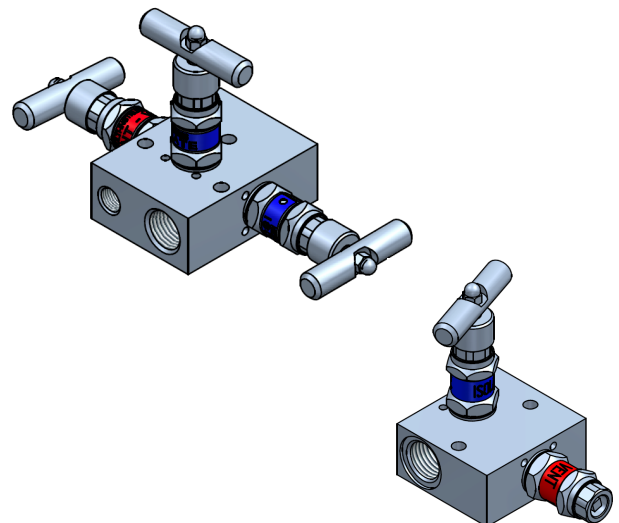
Valve Diagram



Connections

See ordering information on the back of this specification sheet for port connection types available.

Configurations



Head Office: ☎ +31 (0)183 62 88 88 or ✉ to: instrumentation@multi-instruments.com

US + Canada: ☎ +1 587 269 49 88 or ✉ to: solutions@multi-instruments.com

for additional information: 🌐 www.multi-instruments.com

Model IV01

Model number selection guide

IV01	.	SG	.	N03	.	03DF	.	TP
------	---	----	---	-----	---	------	---	----

<p>Connection Options - Both sides:</p> <ul style="list-style-type: none"> .N01 1/4" NPT female .N02 3/8" NPT female .N03 1/2" NPT female .N04 3/4" NPT female .BP01 1/4" BSP.P (G1/4") female .BP02 3/8" BSP.P (G3/8") female .BP03 1/2" BSP.P (G1/2") female <p>NOTES</p> <p>* Default Vent port: 1/4" with same thread type as process connection</p>	<p>Output Options: ONLY WHEN DIFFERENT FROM INPUT</p> <ul style="list-style-type: none"> .01NF 1/4" NPT female .02NF 3/8" NPT female .03NF 1/2" NPT female .04NF 3/4" NPT female .01BPF 1/4" BSP.P fem. (G1/4") .02BPF 3/8" BSP.P fem. (G3/8") .03BPF 1/2" BSP.P fem. (G1/2") . .03DF 1/2" BSP.P fem. (EN837-1 / DIN16288))
<p>Material (wetted parts):</p> <ul style="list-style-type: none"> .SG AISI316/L NACE .M Alloy 400 (Monel) .H Alloy C276 (Hastelloy) .INC825 Alloy 825 .INC625 Alloy 625 .D Duplex .SD Super Duplex .6M0 254SMO / 6Mo 	<p>Valve Operation Mode</p> <ul style="list-style-type: none"> .TP T-Bar - PTFE .TG T-Bar - Graphite .AP Anti-Tamper - PTFE .AG Anti-Tamper - Graphite .YP Mixed - PTFE .YG Mixed - Graphite <p>NOTES</p> <p>* PTFE <200°C, Graphite <450°C</p>
<p>Model Description</p> <ul style="list-style-type: none"> IV01 Isovent Valve Panelmount IV01.SG.N03.TP IV01.DBB Isovent Valve with Double Isolate IV01.DBB.SG.N03.TP 	<p>Valve Options</p> <ul style="list-style-type: none"> .OS Cleaned for Oxygen Service