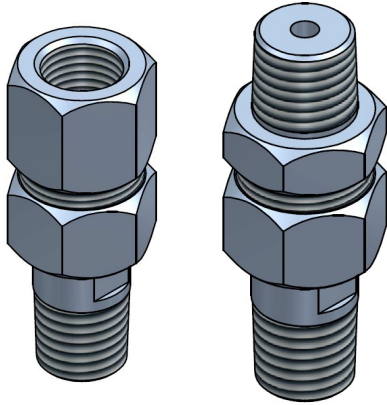


## Model GA01



### Design Features

- Various finishes like: male and female connections, BSP.P, NPT, M20x1,5 in- and outlets
- Integrated Syphon
- Full traceability of all materials
- 100% pressure tested (1,5 x MWP)

### Description

#### The Multi Instruments Swivel Gauge Adapters

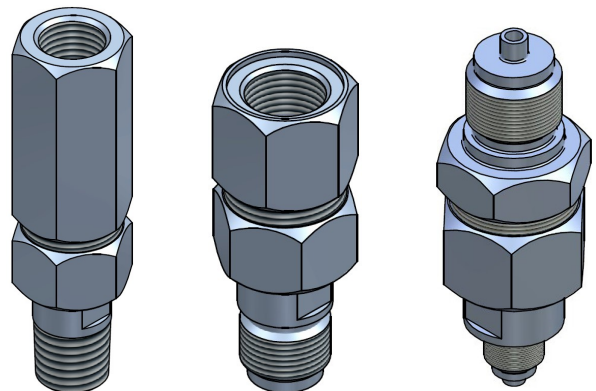
#### Rotatable gauge adapters (swivel adapters)

enable the easy positioning of pressure measuring / indicating instruments in any direction through a 360° range.

### Options

- Sizes from 1/4" up to 1"
- Available in e.g. Monel, Hastelloy, Duplex, Super Duplex, Alloy 825, Alloy 625 materials. (NACE MR01-75 compliant)
- High temperature up to 450°C
- High pressure up to 10.000 PSI (690 bar)

### Various Designs



### Connections

- Male - Female Gauge adapter
- Male - Male Gauge adapter

Head Office: ☎ +31 (0)183 62 88 88 or ✉ to: [instrumentation@multi-instruments.com](mailto:instrumentation@multi-instruments.com)

US + Canada: ☎ +1 587 269 49 88 or ✉ to: [solutions@multi-instruments.com](mailto:solutions@multi-instruments.com)

for additional information: 🌐 [www.multi-instruments.com](http://www.multi-instruments.com)

## Model GA01 Gauge Adapter

### Model selection guide

