

Model CAB



Design Features

- Extends life of field equipment
- Flame retardant and self extinguishing acc. DIN 4102.B2
- Impact absorption better than 50 kJ/m² acc. DIN 54353
- Standard thermal insulation 0,18 W/MK
- Operation Temperature -70°C to +90 °C.
- Standard delivery with base mounting bracket for 2" NB pipe stand, material: Epoxy coated carbon steel.

Description

The Multi Instruments Instrument Cabinets

The Multi Instruments enclosures consist of a bottom and a cover part manufactured in glass-reinforced polyester. The diagonal way the cabinet closes offers maximum access of the instruments inside.

The cover part overlaps the bottom part with at least 3 mm and a neoprene sealing strip ensures a weather tight sealing.

All cabinets are standard delivered with stainless steel hinges, toggle latches and prop stay.

An epoxy coated bottom carrier plate suitable for 2" pipe stands is also standard, optional also available in stainless steel.



Options

- Anti-Static version acc. DIN-EN 50014 < 10⁹ Ω
- Thermal insulation (PUR)
- Steam tracing coil
- Electrical space heater EEx and Non-EEx
- Safety Window
- Mounting plate for manifold assembly



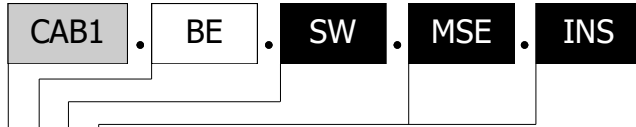
Head Office: ☎ +31 (0)183 62 88 88 or ✉ to: instrumentation@multi-instruments.com

US + Canada: ☎ +1 587 269 49 88 or ✉ to: solutions@multi-instruments.com

for additional information: 🌐 www.multi-instruments.com

Model CAB

Model selection guide



Cabinet Options

- .MSE Mounting Supp. Epoxy CS
- .MSS Mounting Supp. ss
- .INS PUR Insulation

NOTES

Front bottom mounting alters the base plate layout.
Glands in bottom and/or back wall can be fitted at customer request (please call our office for other options)

Window Options

- .SW Safety Glass Window

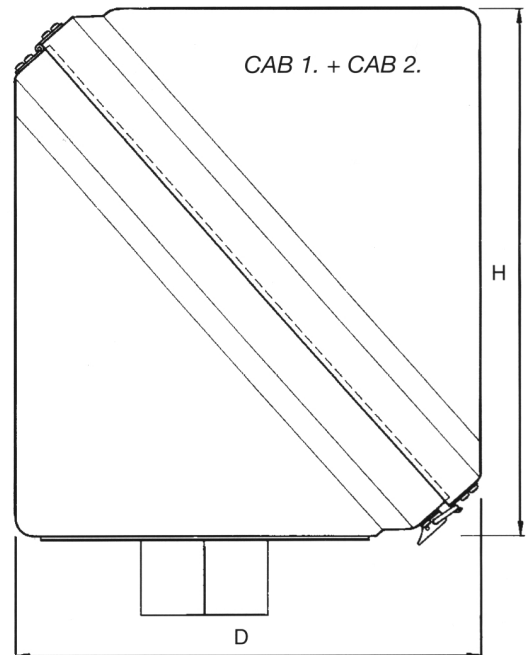
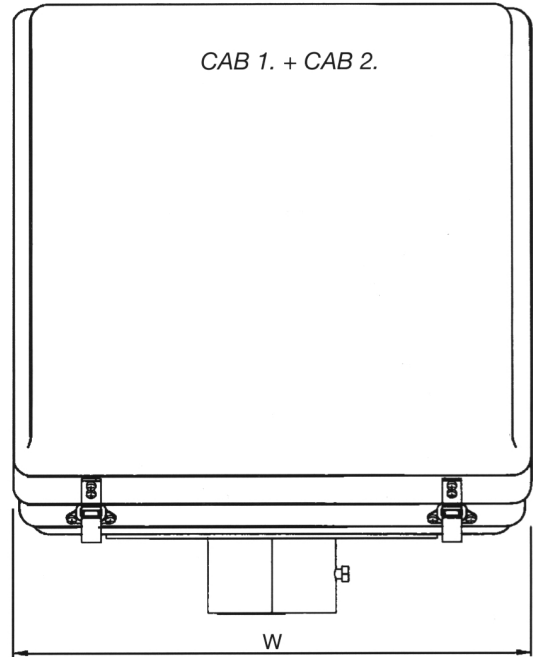
All windows are round set into a string lock rubber seal. (car window type seal)

Material Color / Type

- .BE Beige
- .BL Blue
- .AS Grey (Anti-Static)

Model Description

- CAB1 440 x 430 x 390 mm (HxWxD)
- CAB2 660 x 470 x 450 mm (HxWxD)



Head Office: ☎ +31 (0)183 62 88 88 or ✉ to: instrumentation@multi-instruments.com

US + Canada: ☎ +1 587 269 49 88 or ✉ to: solutions@multi-instruments.com

for additional information: 🌐 www.multi-instruments.com