

Model BE



Design Features

- Compact Design and light weight
- Extends life of field equipment
- Flame retardant, self extinguishing Nyrin® 2000 acc. VDE 0304 t3 / DIN 75200
- Anti-Static acc. EN 50014 <math>< 10^9 \Omega</math> (actual value is. - Operation Temperature - Standard delivery with stainless steel catching lines and back isolator plate/holder.
- 140(160*)x310x320(400*) mm (HxWxD) (*BE3/4)

Description

The Multi Instruments Body Enclosures

The Multi Instruments enclosures consist of two mirror image parts manufactured in a flame retardant and impact resistant black DSM® plastic called Nyrin 2000®. The easy snap locks allow quick removal of each side offering maximum access of the instruments inside.

Both sides have interlocking grooves sealed with a silicon based injected seal and an optional integral 15 mm hard PUR insulation shell.

Body enclosures are standard delivered with stainless steel catch lines on both halves to prevent damage caused by falling during removal. Tailor made openings for your instrument can be machined into the body at customer request.

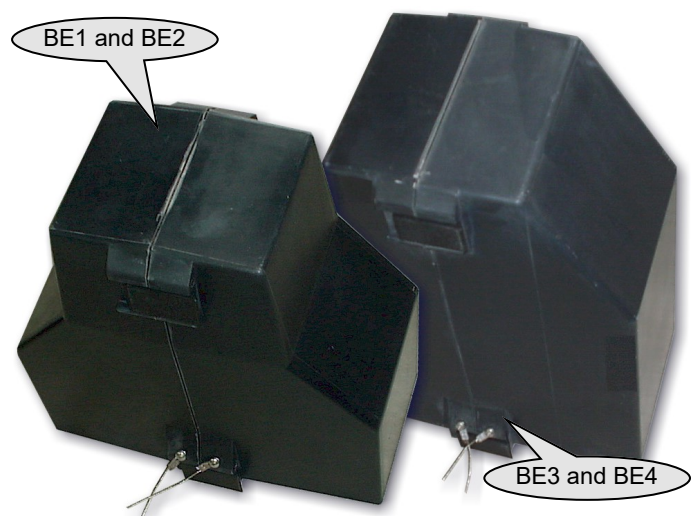
Added Value

To ensure "Plug-and-Play" installation on-site we specialize in custom instrument hookup services. Your (free issue supplied) instrument(s) will be fitted onto the appropriate manifold, stainless steel mounting plate and together with other requested options completely assembled, tagged and tested to your specifications.

Options

- Extended thermal insulated version
- Electrical manifold heaters EEx
- Various types stainless steel mounting plates
- Nyrin® or stainless steel sunshade
- Test Connection box
- Heater Connection box
- Integrated test connector (NAM/SHELL)
- Process Connector insulation cover
- Thermostatic manifold process heater control

Body Enclosure Sample Images



Head Office: ☎ +31 (0)183 62 88 88 or ✉ to: instrumentation@multi-instruments.com

US + Canada: ☎ +1 587 269 49 88 or ✉ to: solutions@multi-instruments.com

for additional information: 🌐 www.multi-instruments.com

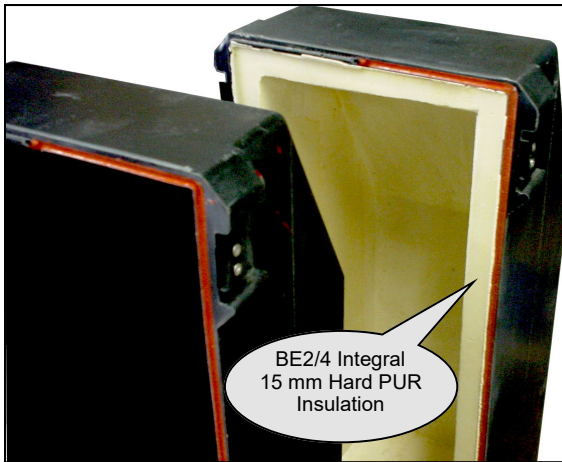
Model BE

Model selection guide

BE

Model Description

- BE1 Standard Version
- BE2 PUR Insulated Version
- BE3 Wide Version (400 mm)
- BE4 PUR Insulated Wide Version



Remarks

If instrument specific openings are needed please specify the instrument model to be fitted together with the Multi Instruments manifold model code. For further options like heaters, sunshade, available mounting plates and other accessories we like to refer you to the specific datasheets on these products in this documentation.

Body Enclosure K-Value

$$K_{BE1_and_BE3} = 5,373W / (m^2 * K)$$

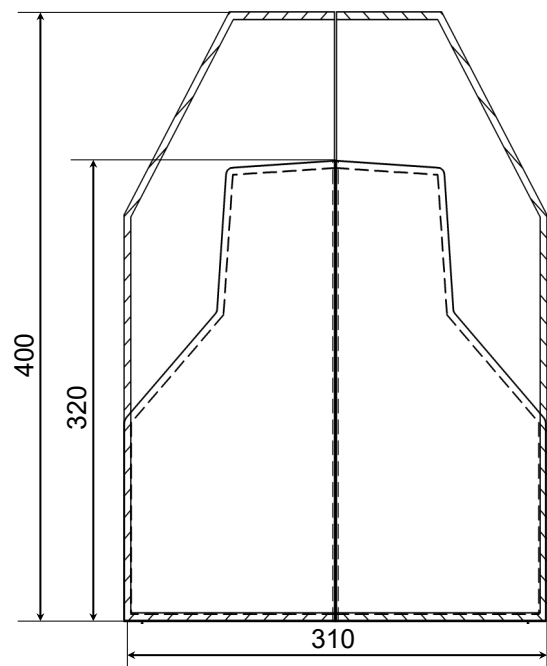
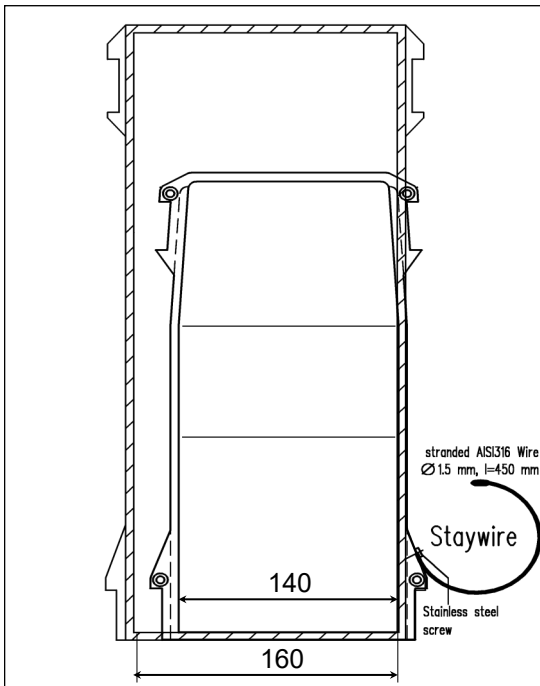
$$K_{BE2_and_BE4} = 1,272W / (m^2 * K)$$

Sample Calculation for BE1 Enclosure

$$P_{heater} = Surface_{BE1} * K_{BE1} * \Delta T$$

$$P_{heater} = 0,32 * 5,37 * 25 = 42,99W$$

Body Enclosure Dimensions



Head Office: ☎ +31 (0)183 62 88 88 or ✉ to: instrumentation@multi-instruments.com

US + Canada: ☎ +1 587 269 49 88 or ✉ to: solutions@multi-instruments.com

for additional information: 🌐 www.multi-instruments.com